



Profit from the Eagle Advantage®

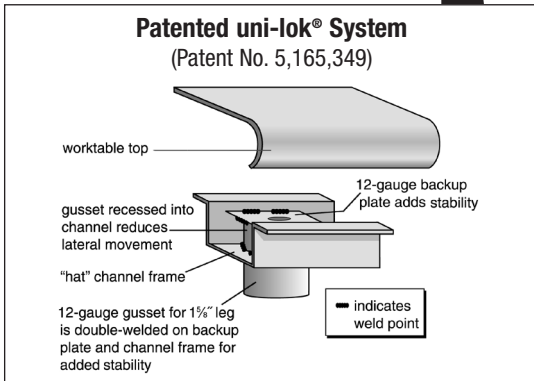
Specification Sheet

Short Form Specifications

Perforated 14 gauge type 304 work surface with #4 brushed stainless steel finish. Perforations are 3/4"-diameter on 1" centers. Available with 1 1/2" C-frame or H-frame tubular base, or with undershelf base. Uni-lok® gusset system. 4 1/2"-high backsplash. Stainless bullet feet adjustable to 1".



table shown with C-frame base



Patented uni-lok® System (Patent No. 5,165,349)

worktable top
gusset recessed into channel reduces lateral movement
"hat" channel frame
12-gauge gusset for 1 1/2" leg is double-welded on backup plate and channel frame for added stability
12-gauge backup plate adds stability
— indicates weld point

Options / Accessories

- Welded construction C-frame
- Welded construction H-frame
- Casters
- Glides
- Foot Rest*
- Upgrade to type 316 stainless steel construction (add suffix "-316". Ex: CRPT3048T-BS-H-316)

* See spec sheet #EG04.14 for Foot Rest

EAGLE GROUP

100 Industrial Boulevard, Clayton, DE 19938-8903 USA
Phone: 302-653-3000 • 800-441-8440 • Fax: 302-653-2065
www.eaglegrp.com
www.eaglehmc.com

For custom configuration or fabrication needs, contact our SpecFAB® Division.
Phone: 302-653-3000 • Fax: 302-653-2065 • e-mail: quotes@eaglegrp.com

Item No.: _____
 Project No.: _____
 S.I.S. No.: _____

Cleanroom Tables with Brushed Stainless Perforated Tabletop with Backsplash

MODELS:

- | | | |
|---|---|---|
| <input type="checkbox"/> CRPT2424T-BS-* | <input type="checkbox"/> CRPT3030T-BS-* | <input type="checkbox"/> CRPT3636T-BS-* |
| <input type="checkbox"/> CRPT2436T-BS-* | <input type="checkbox"/> CRPT3036T-BS-* | <input type="checkbox"/> CRPT3648T-BS-* |
| <input type="checkbox"/> CRPT2448T-BS-* | <input type="checkbox"/> CRPT3048T-BS-* | <input type="checkbox"/> CRPT3660T-BS-* |
| <input type="checkbox"/> CRPT2460T-BS-* | <input type="checkbox"/> CRPT3060T-BS-* | <input type="checkbox"/> CRPT3672T-BS-* |
| <input type="checkbox"/> CRPT2472T-BS-* | <input type="checkbox"/> CRPT3072T-BS-* | <input type="checkbox"/> CRPT3684T-BS-* |
| <input type="checkbox"/> CRPT2484T-BS-* | <input type="checkbox"/> CRPT3084T-BS-* | <input type="checkbox"/> CRPT3696T-BS-* |
| <input type="checkbox"/> CRPT2496T-BS-* | <input type="checkbox"/> CRPT3096T-BS-* | |

* See chart on back for complete model numbers.

Design and Construction Features

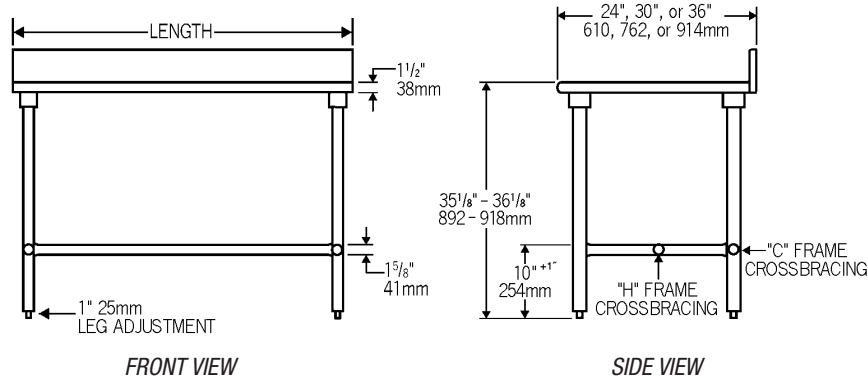
- Heavy gauge type 304 all stainless steel construction.
- Tops are 14 gauge brushed stainless steel, reinforced with heavy gauge hat channels. Alcohol-wiped and cleanroom bagged.
- 1 1/2" (38mm)-diameter, rolled down edges at front.
- 4 1/2" (114mm)-high 90° backsplash.
- Ends turned down 90° at 1 1/2" (38mm) providing for flush installations when required.
- Base assembly incorporates the "strength by design" patented uni-lok® (patent #5,165,349) stainless steel gusset system which is welded into hat channel, reducing lateral movement.
- Legs and crossbracing are 16 gauge 1 5/8" (41 mm)-diameter, with welded crossbracing front-to-back and choice of center or rear knocked-down crossbracing.
- Perforations are 3/4" (19mm)-diameter on 1" (25mm) centers to allow a minimum 40% laminar flow.
- Undershelves are heavy gauge construction with hat channel reinforcement on tables 84" (2134mm) and longer.
- Tables supplied with 1" (25mm) adjustable stainless steel bullet feet.
- All tables provided with stainless steel assembly hardware and are shipped knock-down.
- 35 1/2" overall height.
- Custom sizes available.





Item No.: _____
 Project No.: _____
 S.I.S. No.: _____

Cleanroom Tables with Brushed Stainless Steel Perforated Tabletop with Backsplash



...with C-Frame Base			...with H-Frame Base			...with Undershef Base			width		length		weight	
model #	model #	model #	in.	mm	in.	mm	in.	mm	lbs.	kg				
CRPT2424T-BS-C	CRPT2424T-BS-H	CRPT2424T-BS-US	24"	610	24"	610	24"	610	55	25.0				
CRPT2436T-BS-C	CRPT2436T-BS-H	CRPT2436T-BS-US	24"	610	36"	914	24"	610	65	29.5				
CRPT2448T-BS-C	CRPT2448T-BS-H	CRPT2448T-BS-US	24"	610	48"	1219	24"	610	70	31.8				
CRPT2460T-BS-C	CRPT2460T-BS-H	CRPT2460T-BS-US	24"	610	60"	1524	24"	610	86	39.0				
CRPT2472T-BS-C	CRPT2472T-BS-H	CRPT2472T-BS-US	24"	610	72"	1829	24"	610	94	42.6				
CRPT2484T-BS-C	CRPT2484T-BS-H	CRPT2484T-BS-US	24"	610	84"	2134	24"	610	145	65.8				
CRPT2496T-BS-C	CRPT2496T-BS-H	CRPT2496T-BS-US	24"	610	96"	2438	24"	610	169	76.7				
CRPT3030T-BS-C	CRPT3030T-BS-H	CRPT3030T-BS-US	30"	762	30"	762	30"	762	63	28.6				
CRPT3036T-BS-C	CRPT3036T-BS-H	CRPT3036T-BS-US	30"	762	36"	914	30"	762	66	29.9				
CRPT3048T-BS-C	CRPT3048T-BS-H	CRPT3048T-BS-US	30"	762	48"	1219	30"	762	83	37.7				
CRPT3060T-BS-C	CRPT3060T-BS-H	CRPT3060T-BS-US	30"	762	60"	1524	30"	762	92	41.7				
CRPT3072T-BS-C	CRPT3072T-BS-H	CRPT3072T-BS-US	30"	762	72"	1829	30"	762	113	51.3				
CRPT3084T-BS-C	CRPT3084T-BS-H	CRPT3084T-BS-US	30"	762	84"	2134	30"	762	150	68.0				
CRPT3096T-BS-C	CRPT3096T-BS-H	CRPT3096T-BS-US	30"	762	96"	2438	30"	762	180	81.7				
CRPT3636T-BS-C	CRPT3636T-BS-H	CRPT3636T-BS-US	36"	914	36"	914	36"	914	74	33.6				
CRPT3648T-BS-C	CRPT3648T-BS-H	CRPT3648T-BS-US	36"	914	48"	1219	36"	914	84	38.1				
CRPT3660T-BS-C	CRPT3660T-BS-H	CRPT3660T-BS-US	36"	914	60"	1524	36"	914	99	44.9				
CRPT3672T-BS-C	CRPT3672T-BS-H	CRPT3672T-BS-US	36"	914	72"	1829	36"	914	115	52.2				
CRPT3684T-BS-C	CRPT3684T-BS-H	CRPT3684T-BS-US	36"	914	84"	2134	36"	914	183	83.0				
CRPT3696T-BS-C	CRPT3696T-BS-H	CRPT3696T-BS-US	36"	914	96"	2438	36"	914	203	92.1				

EAGLE GROUP
 100 Industrial Boulevard, Clayton, DE 19938-8903 USA
 Phone: 302-653-3000 or 800-441-8440 • Fax: 302-653-2065
 www.eaglegrp.com • www.eaglehmc.com

Printed in U.S.A.
 ©2025 by Eagle Group

Rev. 03/25

Spec sheets available for viewing, printing or downloading from our online literature library at our websites

Although every attempt has been made to ensure the accuracy of the information provided, we cannot be held responsible for typographical or printing errors. Information and specifications are subject to change without notice. Please confirm at time of order.