



Profit from the Eagle Advantage®

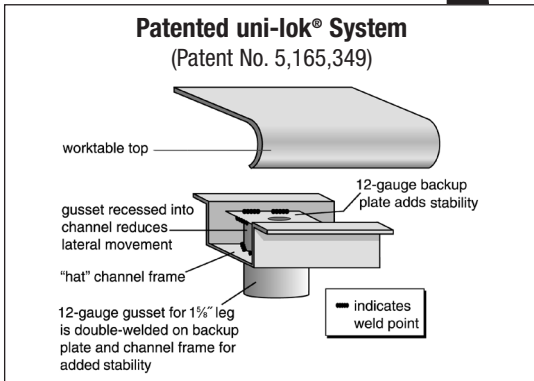
Specification Sheet

Short Form Specifications

Solid 14 gauge type 304 worksurface with #4 brushed stainless steel finish. Available with 1½" C-frame or H-frame tubular base, or with undershelf base. Uni-lok® gusset system. 4½"-high backsplash. Stainless bullet feet adjustable to 1".



table shown with C-frame base



Options / Accessories

- Welded construction C-frame
- Welded construction H-frame
- Casters
- Glides
- Foot Rest*
- Upgrade to type 316 stainless steel construction (add suffix "-316". Ex: CRT2436T-BS-US-316)

* See spec sheet #EG04.14 for Foot Rest

EAGLE GROUP

100 Industrial Boulevard, Clayton, DE 19938-8903 USA
 Phone: 302-653-3000 • 800-441-8440 • Fax: 302-653-2065
 www.eaglegrp.com
 www.eaglemhc.com

For custom configuration or fabrication needs, contact our **SpecFAB® Division**.
 Phone: 302-653-3000 • Fax: 302-653-2065 • e-mail: quotes@eaglegrp.com

Item No.: _____
 Project No.: _____
 S.I.S. No.: _____

Cleanroom Tables with Brushed Stainless Solid Tabletop with Backsplash

MODELS:

- | | | |
|--|--|--|
| <input type="checkbox"/> CRT2424T-BS-* | <input type="checkbox"/> CRT3030T-BS-* | <input type="checkbox"/> CRT3636T-BS-* |
| <input type="checkbox"/> CRT2436T-BS-* | <input type="checkbox"/> CRT3036T-BS-* | <input type="checkbox"/> CRT3648T-BS-* |
| <input type="checkbox"/> CRT2448T-BS-* | <input type="checkbox"/> CRT3048T-BS-* | <input type="checkbox"/> CRT3660T-BS-* |
| <input type="checkbox"/> CRT2460T-BS-* | <input type="checkbox"/> CRT3060T-BS-* | <input type="checkbox"/> CRT3672T-BS-* |
| <input type="checkbox"/> CRT2472T-BS-* | <input type="checkbox"/> CRT3072T-BS-* | <input type="checkbox"/> CRT3684T-BS-* |
| <input type="checkbox"/> CRT2484T-BS-* | <input type="checkbox"/> CRT3084T-BS-* | <input type="checkbox"/> CRT3696T-BS-* |
| <input type="checkbox"/> CRT2496T-BS-* | <input type="checkbox"/> CRT3096T-BS-* | |

* See chart on back for complete model numbers.

Design and Construction Features

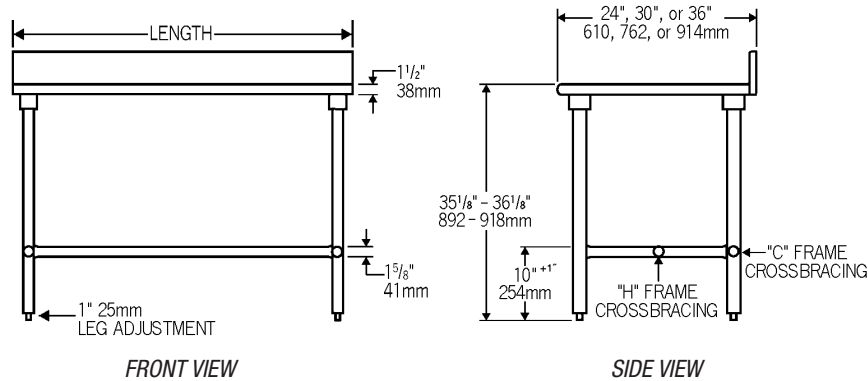
- Heavy gauge type 304 all stainless steel construction.
- Tops are 14 gauge brushed stainless steel, reinforced with heavy gauge hat channels. Alcohol-wiped and cleanroom bagged.
- 1½" (38mm)-diameter, rolled down edges at front.
- 4½" (114mm)-high 90° backsplash.
- Ends turned down 90° at 1½" (38mm) providing for flush installations when required.
- Base assembly incorporates the "strength by design" patented uni-lok® (patent #5,165,349) stainless steel gusset system which is welded into hat channel, reducing lateral movement.
- Legs and crossbracing are 16 gauge 1½" (41mm)-diameter, with welded crossbracing front-to-back and choice of center or rear knocked-down crossbracing.
- Undershelves are heavy gauge construction with hat channel reinforcement on tables 84" (2134mm) and longer.
- Tables supplied with 1" (25mm) adjustable stainless steel bullet feet.
- All tables provided with stainless steel assembly hardware and are shipped knock-down.
- 35½" overall height.
- Custom sizes available.





Item No.: _____
 Project No.: _____
 S.I.S. No.: _____

Cleanroom Tables with Brushed Stainless Steel Solid Tabletop with Backsplash



			width		length		weight	
...with C-Frame Base	...with H-Frame Base	...with Undershef Base	in.	mm	in.	mm	lbs.	kg
model #	model #	model #						
CRT2424T-BS-C	CRT2424T-BS-H	CRT2424T-BS-US	24"	610	24"	610	55	25.0
CRT2436T-BS-C	CRT2436T-BS-H	CRT2436T-BS-US	24"	610	36"	914	65	29.5
CRT2448T-BS-C	CRT2448T-BS-H	CRT2448T-BS-US	24"	610	48"	1219	70	31.8
CRT2460T-BS-C	CRT2460T-BS-H	CRT2460T-BS-US	24"	610	60"	1524	86	39.0
CRT2472T-BS-C	CRT2472T-BS-H	CRT2472T-BS-US	24"	610	72"	1829	94	42.6
CRT2484T-BS-C	CRT2484T-BS-H	CRT2484T-BS-US	24"	610	84"	2134	145	65.8
CRT2496T-BS-C	CRT2496T-BS-H	CRT2496T-BS-US	24"	610	96"	2438	169	76.7
CRT3030T-BS-C	CRT3030T-BS-H	CRT3030T-BS-US	30"	762	30"	762	63	28.6
CRT3036T-BS-C	CRT3036T-BS-H	CRT3036T-BS-US	30"	762	36"	914	66	29.9
CRT3048T-BS-C	CRT3048T-BS-H	CRT3048T-BS-US	30"	762	48"	1219	83	37.7
CRT3060T-BS-C	CRT3060T-BS-H	CRT3060T-BS-US	30"	762	60"	1524	92	41.7
CRT3072T-BS-C	CRT3072T-BS-H	CRT3072T-BS-US	30"	762	72"	1829	113	51.3
CRT3084T-BS-C	CRT3084T-BS-H	CRT3084T-BS-US	30"	762	84"	2134	150	68.0
CRT3096T-BS-C	CRT3096T-BS-H	CRT3096T-BS-US	30"	762	96"	2438	180	81.7
CRT3636T-BS-C	CRT3636T-BS-H	CRT3636T-BS-US	36"	914	36"	914	74	33.6
CRT3648T-BS-C	CRT3648T-BS-H	CRT3648T-BS-US	36"	914	48"	1219	84	38.1
CRT3660T-BS-C	CRT3660T-BS-H	CRT3660T-BS-US	36"	914	60"	1524	99	44.9
CRT3672T-BS-C	CRT3672T-BS-H	CRT3672T-BS-US	36"	914	72"	1829	115	52.2
CRT3684T-BS-C	CRT3684T-BS-H	CRT3684T-BS-US	36"	914	84"	2134	183	83.0
CRT3696T-BS-C	CRT3696T-BS-H	CRT3696T-BS-US	36"	914	96"	2438	203	92.1

EAGLE GROUP
 100 Industrial Boulevard, Clayton, DE 19938-8903 USA
 Phone: 302-653-3000 or 800-441-8440 • Fax: 302-653-2065
 www.eaglegrp.com • www.eaglehmc.com

Printed in U.S.A.
 ©2025 by Eagle Group

Rev. 03/25

Spec sheets available for viewing, printing or downloading from our online literature library at our websites

Although every attempt has been made to ensure the accuracy of the information provided, we cannot be held responsible for typographical or printing errors. Information and specifications are subject to change without notice. Please confirm at time of order.