



Profit from the Eagle Advantage®

# Specification Sheet

## Short Form Specifications

Eagle Battery Powered Electronic Eye Hand Sink, model HSA-10-FE-B-DS. Constructed of type 304 stainless steel all-welded with deep-drawn positive drain sink bowl, inverted "V" edge to prevent spillage, drain, deck-mounted soap dispenser, and splash mounted battery-powered electronic-eye faucet with low battery indicator light.

Eagle Battery Powered Electronic Eye Narrow Hand Sink, model HSAN-10-FE-B-DS. 12 1/2" side-to-side. Constructed of type 304 stainless steel all-welded deep-drawn positive drain sink bowl, inverted "V" edge to prevent spillage, drain, deck-mounted soap dispenser, and battery-powered electronic-eye faucet with low battery indicator light.



## Options / Accessories

- Faucet with wrist handles
- Anti-scald valve
- Towel dispenser\*
- P-trap
- End splashes
- Drinking bubbler
- MICROGARD® antimicrobial agent\*\*

\* Optional Towel Dispenser fits #HSA-10-F-DS only.

\*\* See Product Announcement #EG8135 for more details about MICROGARD® for Hand Sinks.

Item No.: \_\_\_\_\_  
 Project No.: \_\_\_\_\_  
 S.I.S. No.: \_\_\_\_\_

# Electronic-Eye Hand Sinks with Deck-Mounted Soap Dispensers

## MODELS:

- HSA-10-FE-B-DS
- HSAN-10-FE-B-DS

## Design & Construction Features of Both Hand Sinks

- New standard deck-mounted pump-action liquid soap dispenser holds 16 oz. and features plastic globe and 4" (102mm) spout.
- Heavy gauge type 304 stainless steel all-welded construction.
- Splash-mounted battery-powered electronic-eye faucet comes with four "AA" batteries and built-in low battery indicator.
- Inverted "V" edge rim retards spillage.
- Unique deep-drawn positive-drain bowl assures complete drainage to meet the most stringent health code requirements.
- Includes 1 1/2" (38mm) stainless steel basket drain and mini crumb cup strainer.
- Furnished with stainless steel Z-clips to secure to wall.
- Includes splash mount gooseneck faucet, basket drain with mini crumb cup strainer, and soap dispenser.
- #HSAN-10-FE-DS is only 12" (305mm) side-to-side for maximum space efficiency.

## EAGLE GROUP

100 Industrial Boulevard, Clayton, DE 19938-8903 USA  
 Phone: 302-653-3000 • 800-441-8440 • Fax: 302-653-2065  
 www.eaglegrp.com  
 www.eaglemhc.com

For custom configuration or fabrication needs, contact our SpecFAB® Division.  
 Phone: 302-653-3000 • Fax: 302-653-2065 • e-mail: quotes@eaglegrp.com

## Certifications / Approvals



EG20.07 Rev. 06/24

Spec sheets available for viewing, printing or downloading from our online literature library at our websites

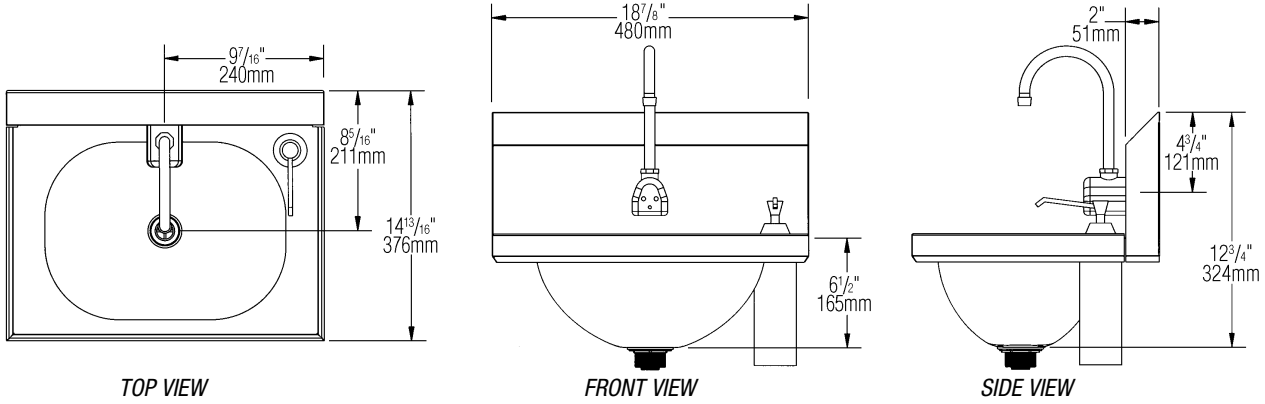
Eagle Foodservice Equipment, Eagle MHC, and SpecFAB® are divisions of Eagle Group. ©2024 by the Eagle Group



Item No.: \_\_\_\_\_  
 Project No.: \_\_\_\_\_  
 S.I.S. No.: \_\_\_\_\_

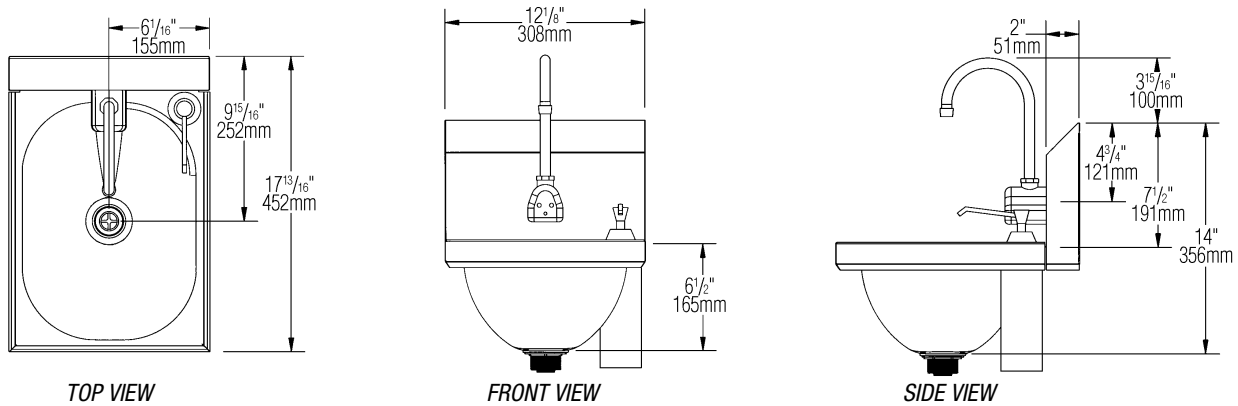
# Electronic-Eye Hand Sinks with Deck-Mounted Soap Dispensers

## Model #HSA-10-FE-B-DS



model #	<u>bowl size</u>		<u>overall size</u>		weight	
	width	length x depth	width	length x height	lbs.	kg
	in.	mm	in.	mm		
<b>HSA-10-FE-B-DS</b>	9 <sup>3</sup> / <sub>4</sub> "	13 <sup>1</sup> / <sub>2</sub> " x 6 <sup>3</sup> / <sub>4</sub> "	248 x 343 x 172	14 <sup>13</sup> / <sub>16</sub> " x 18 <sup>7</sup> / <sub>8</sub> " x 12 <sup>3</sup> / <sub>4</sub> "	376 x 480 x 324	16 7.3

## Model #HSAN-10-FE-B-DS



model #	<u>bowl size</u>		<u>overall size</u>		weight	
	width	length x depth	width	length x height	lbs.	kg
	in.	mm	in.	mm		
<b>HSAN-10-FE-B-DS</b>	13 <sup>1</sup> / <sub>2</sub> "	9 <sup>3</sup> / <sub>4</sub> " x 6 <sup>1</sup> / <sub>2</sub> "	343 x 248 x 165	17 <sup>13</sup> / <sub>16</sub> " x 12 <sup>1</sup> / <sub>8</sub> " x 14 <sup>1</sup> / <sub>4</sub> "	453 x 308 x 362	16 7.3

**EAGLE GROUP**  
 100 Industrial Boulevard, Clayton, DE 19938-8903 USA  
 Phone: 302-653-3000 or 800-441-8440 • Fax: 302-653-2065  
 www.eaglegrp.com • www.eaglemhc.com

Printed in U.S.A.  
 ©2024 by Eagle Group  
 Rev. 06/24

Spec sheets available for viewing, printing or downloading from our online literature library at our websites

Although every attempt has been made to ensure the accuracy of the information provided, we cannot be held responsible for typographical or printing errors. Information and specifications are subject to change without notice. Please confirm at time of order.