



Profit from the Eagle Advantage®

Specification Sheet

Short Form Specifications

Eagle Foot Rest, model #FR-1221-SS. Heavy gauge stainless steel all-welded construction. Cantilever-style design. Platform is adjustable on 1½" centers, ranging from 4½" to 9¾" at the lower leading edge to the floor. 1"-square tubular welded frame. ¾"-high non-slip rubber feet.

Item No.:	_____
Project No.:	_____
S.I.S. No.:	_____

Foot Rest

MODELS:

FR-1221-SS



#FR-1221-SS

Design and Constructions Features

- Heavy gauge stainless steel all-welded construction.
- 1" (25mm) square tubular welded frame.
- Slotted uprights with rubber caps.
- Platform set at 12° angle, removable for cleanability.
- Adjustable on 1½" (38mm) centers, ranging from 4½" to 9¾" (114 to 248mm) at the lowest leading edge to the floor.
- Promotes ergonomic posture for comfort.
- Non-slip rubber feet.
- 13" (330mm) height.
- Designed with stress relief in mind.

EAGLE GROUP

100 Industrial Boulevard, Clayton, DE 19938-8903 USA
 Phone: 302-653-3000 • 800-441-8440 • Fax: 302-653-2065
www.eaglegrp.com
www.eaglemhc.com

For custom configuration or fabrication needs, contact our **SpecFAB® Division**.
 Phone: 302-653-3000 • Fax: 302-653-2065 • e-mail: quotes@eaglegrp.com



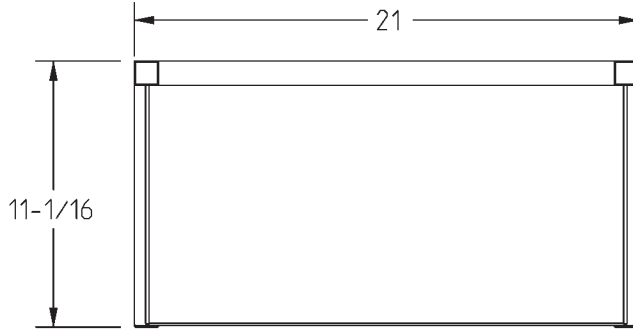
EG04.14 Rev. 10/24

Spec sheets available for viewing, printing or downloading from our online literature library at our websites

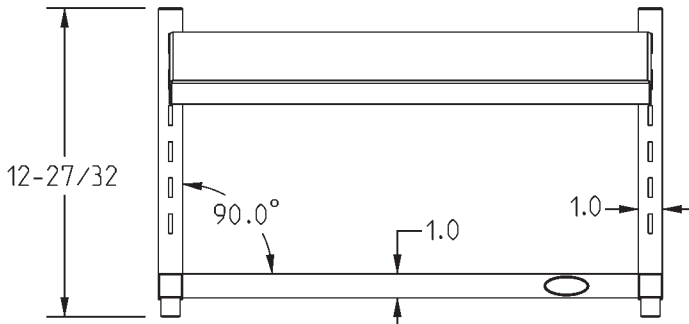


Item No.: _____
 Project No.: _____
 S.I.S. No.: _____

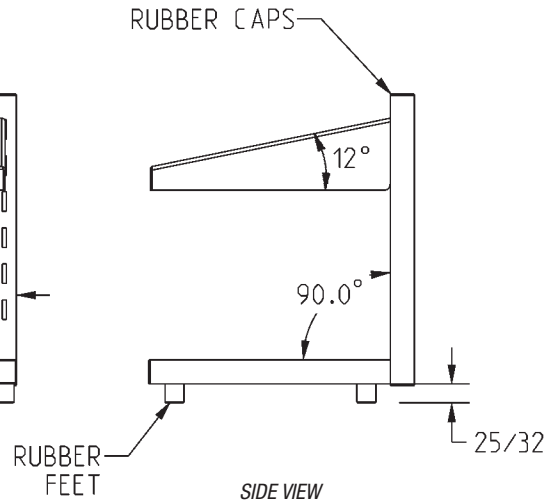
Foot Rest



TOP VIEW



FRONT VIEW



SIDE VIEW

length		width		height		weight		model #
in.	mm	in.	mm	in.	mm	lbs.	kg	
21"	533	11 1/16"	281	12 7/8"	327	15	6.8	FR-1221-SS

EAGLE GROUP
 100 Industrial Boulevard, Clayton, DE 19938-8903 USA
 Phone: 302-653-3000 or 800-441-8440 • Fax: 302-653-2065
 www.eaglegrp.com • www.eaglehmc.com

Printed in U.S.A.
 ©2024 by Eagle Group

Rev. 10/24

Spec sheets available for viewing, printing or downloading from our online literature library at our websites

Although every attempt has been made to ensure the accuracy of the information provided, we cannot be held responsible for typographical or printing errors. Information and specifications are subject to change without notice. Please confirm at time of order.