



Profit from the Eagle Advantage®

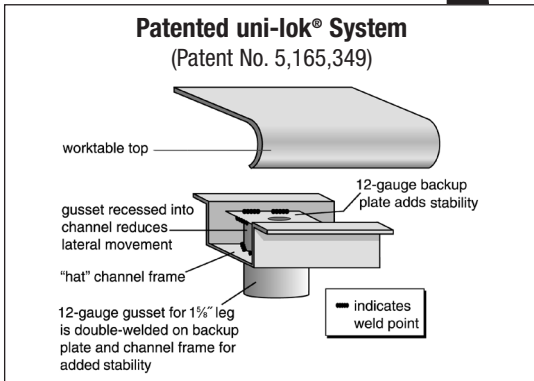
Specification Sheet

Short Form Specifications

Solid 14 gauge type 304 worksurface with #4 brushed stainless steel finish. Available with 1½" C-frame or H-frame tubular base, or with undershelf base. Uni-lok® gusset system. Stainless bullet feet adjustable to 1".



table shown with C-frame base



Options / Accessories

- Welded construction C-frame
- Welded construction H-frame
- Casters
- Glides
- Foot Rest*
- Upgrade to type 316 stainless steel construction (add suffix "-316". Ex: CRT2424T-C-316)

* See spec sheet #EG04.14 for Foot Rest

EAGLE GROUP

100 Industrial Boulevard, Clayton, DE 19938-8903 USA
 Phone: 302-653-3000 • 800-441-8440 • Fax: 302-653-2065
www.eaglegrp.com
www.eaglemhc.com

For custom configuration or fabrication needs, contact our SpecFAB® Division.
 Phone: 302-653-3000 • Fax: 302-653-2065 • e-mail: quotes@eaglegrp.com

Item No.: _____
 Project No.: _____
 S.I.S. No.: _____

Cleanroom Tables with Brushed Stainless Solid Tabletop

MODELS:

- | | | |
|-------------------------------------|-------------------------------------|-------------------------------------|
| <input type="checkbox"/> CRT2424T-* | <input type="checkbox"/> CRT3030T-* | <input type="checkbox"/> CRT3636T-* |
| <input type="checkbox"/> CRT2436T-* | <input type="checkbox"/> CRT3036T-* | <input type="checkbox"/> CRT3648T-* |
| <input type="checkbox"/> CRT2448T-* | <input type="checkbox"/> CRT3048T-* | <input type="checkbox"/> CRT3660T-* |
| <input type="checkbox"/> CRT2460T-* | <input type="checkbox"/> CRT3060T-* | <input type="checkbox"/> CRT3672T-* |
| <input type="checkbox"/> CRT2472T-* | <input type="checkbox"/> CRT3072T-* | <input type="checkbox"/> CRT3684T-* |
| <input type="checkbox"/> CRT2484T-* | <input type="checkbox"/> CRT3084T-* | <input type="checkbox"/> CRT3696T-* |
| <input type="checkbox"/> CRT2496T-* | <input type="checkbox"/> CRT3096T-* | |

* See chart on back for complete model numbers.

Design and Construction Features

- Heavy gauge type 304 all stainless steel construction.
- Tops are 14 gauge brushed stainless steel, reinforced with heavy gauge hat channels. Alcohol-wiped and cleanroom bagged.
- 1½" (38mm)-diameter, rolled down edges at front and rear.
- Ends turned down 90° at 1½" (38mm) providing for flush installations when required.
- Base assembly incorporates the "strength by design" patented uni-lok® (patent #5,165,349) stainless steel gusset system which is welded into hat channel, reducing lateral movement.
- Legs and crossbracing are 16 gauge 1½" (41mm)-diameter, with welded crossbracing front-to-back and choice of center or rear knocked-down crossbracing.
- Undershelves are heavy gauge construction with hat channel reinforcement on tables 84" (2134mm) and longer.
- Tables supplied with 1" (25mm) adjustable stainless steel bullet feet.
- All tables provided with stainless steel assembly hardware and are shipped knock-down.
- 35½" overall height.
- Custom sizes available.

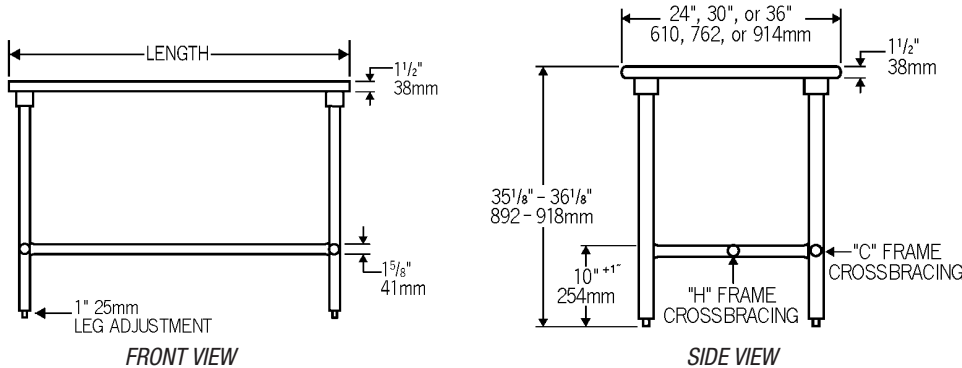




Profit from the Eagle Advantage®

Item No.: _____
 Project No.: _____
 S.I.S. No.: _____

Cleanroom Tables with Brushed Stainless Solid Tabletop



			width		length		weight	
...with C-Frame Base	...with H-Frame Base	...with Undershef Base	in.	mm	in.	mm	lbs.	kg
CRT2424T-C	CRT2424T-H	CRT2424T-US	24"	610	24"	610	45	20.4
CRT2436T-C	CRT2436T-H	CRT2436T-US	24"	610	36"	914	54	24.5
CRT2448T-C	CRT2448T-H	CRT2448T-US	24"	610	48"	1219	65	29.5
CRT2460T-C	CRT2460T-H	CRT2460T-US	24"	610	60"	1524	83	37.7
CRT2472T-C	CRT2472T-H	CRT2472T-US	24"	610	72"	1829	98	44.5
CRT2484T-C	CRT2484T-H	CRT2484T-US	24"	610	84"	2134	126	57.2
CRT2496T-C	CRT2496T-H	CRT2496T-US	24"	610	96"	2438	187	84.8
CRT3030T-C	CRT3030T-H	CRT3030T-US	30"	762	30"	762	56	25.4
CRT3036T-C	CRT3036T-H	CRT3036T-US	30"	762	36"	914	63	28.6
CRT3048T-C	CRT3048T-H	CRT3048T-US	30"	762	48"	1219	71	32.2
CRT3060T-C	CRT3060T-H	CRT3060T-US	30"	762	60"	1524	89	40.5
CRT3072T-C	CRT3072T-H	CRT3072T-US	30"	762	72"	1829	105	47.6
CRT3084T-C	CRT3084T-H	CRT3084T-US	30"	762	84"	2134	132	59.9
CRT3096T-C	CRT3096T-H	CRT3096T-US	30"	762	96"	2438	212	96.2
CRT3636T-C	CRT3636T-H	CRT3636T-US	36"	914	36"	914	69	31.3
CRT3648T-C	CRT3648T-H	CRT3648T-US	36"	914	48"	1219	84	38.1
CRT3660T-C	CRT3660T-H	CRT3660T-US	36"	914	60"	1524	94	42.6
CRT3672T-C	CRT3672T-H	CRT3672T-US	36"	914	72"	1829	120	54.4
CRT3684T-C	CRT3684T-H	CRT3684T-US	36"	914	84"	2134	183	83.0
CRT3696T-C	CRT3696T-H	CRT3696T-US	36"	914	96"	2438	247	112.0

EAGLE GROUP
 100 Industrial Boulevard, Clayton, DE 19938-8903 USA
 Phone: 302-653-3000 or 800-441-8440 • Fax: 302-653-2065
 www.eaglegrp.com • www.eaglehmc.com

Printed in U.S.A.
 ©2025 by Eagle Group

Rev. 01/25

Spec sheets available for viewing, printing or downloading from our online literature library at our websites

Although every attempt has been made to ensure the accuracy of the information provided, we cannot be held responsible for typographical or printing errors. Information and specifications are subject to change without notice. Please confirm at time of order.