

# Surgical Scrub Sink #SHS2424-1D

## INSTALLATION INSTRUCTIONS

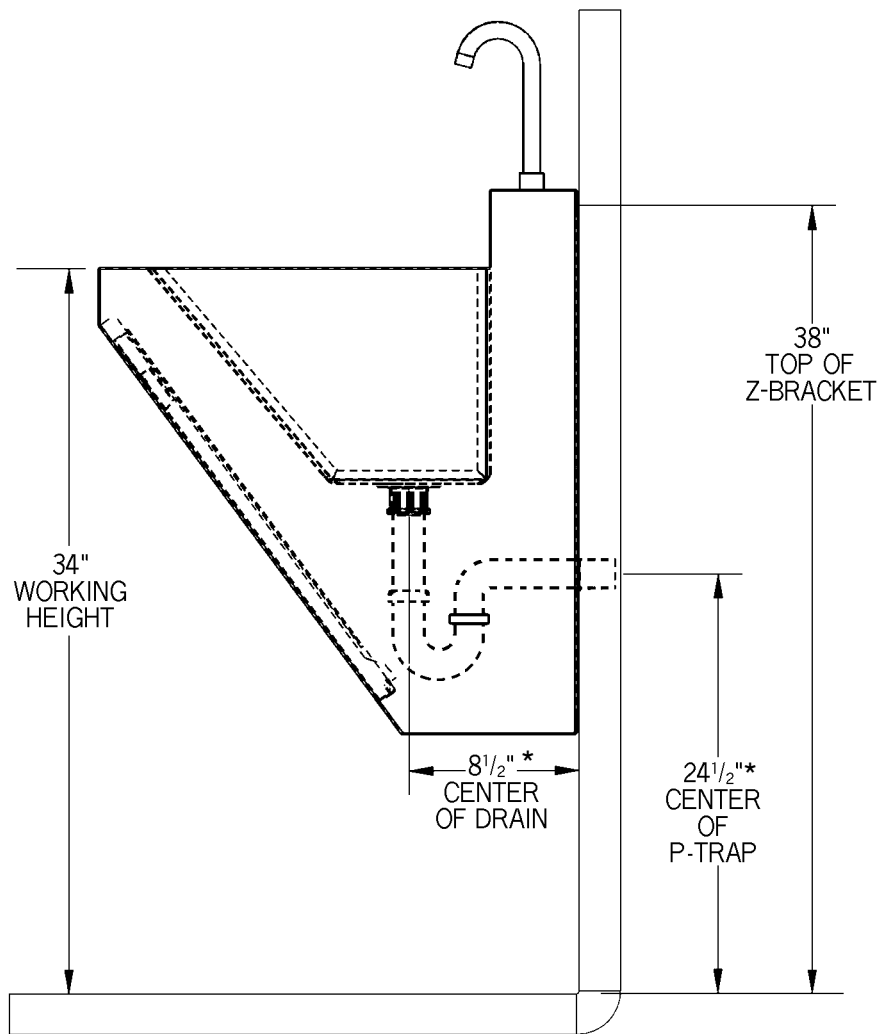
### CAUTION

INSPECT CONTENTS IMMEDIATELY AND FILE CLAIM WITH DELIVERING CARRIER FOR ANY DAMAGE.

**SAVE YOUR BOX AND ALL PACKING MATERIALS.**

YOU ARE RESPONSIBLE FOR DAMAGE TO YOUR UNIT IF RETURNED IMPROPERLY PACKED.

### Dimensions for plumbing rough-ins:



\* Nominal – dimensions may vary.

(continued on back page)

EG9930 Revised 06/19



• 100 Industrial Boulevard, Clayton, Delaware 19938-8903 U.S.A. • [www.eaglegrp.com](http://www.eaglegrp.com)  
• Phone: 302/653-3000 • (Foodservice) 800/441-8440 • (MHC) 800/637-5100  
• Fax: 302/653-2065

Eagle Foodservice Equipment, Eagle MHC, and SpecFAB® are divisions of Eagle Group. ©2019 by the Eagle Group

# Surgical Scrub Sink #SHS2424-1D

## INSTALLATION INSTRUCTIONS

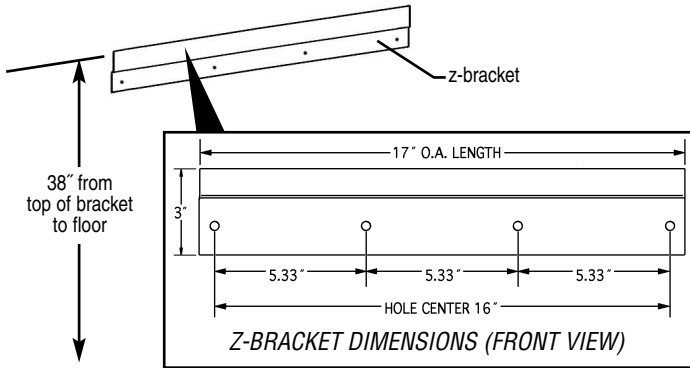
### Please note before installation:

- Attach faucet to sink per faucet instructions.
- Attach drain to sink per drain instructions.
- Please follow the plumbing rough-ins (front page). All dimensions are nominal.
- Remove the front access panel for installation.

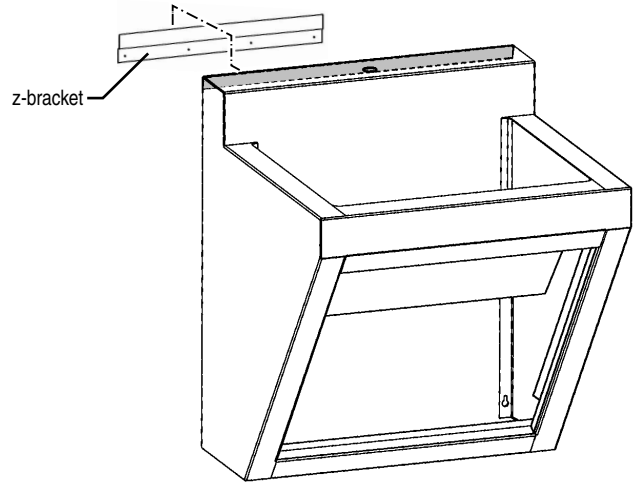
### Step 1 - Attach z-bracket to wall.

Use a level for straightness.

(Note: Mounting hardware not included.)

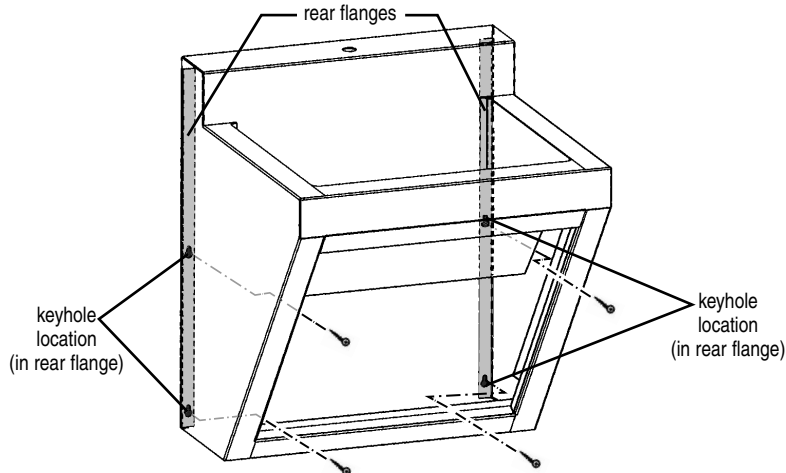


### Step 2 - Center and hang sink on z-bracket.



### Step 3 - Secure sink to wall.

(Note: Mounting hardware not included.)



### Step 4 - Attach plumbing.

Following plumbing rough-ins on front page. Attach water inlet lines and drainage. Return front access panel.

Installation is complete.

(End)