

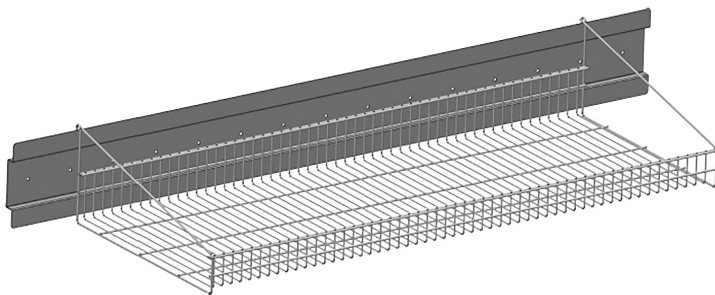
Wall Brackets for Wall Grid Shelving

INSTALLATION INSTRUCTIONS

CAUTION

INSPECT CONTENTS IMMEDIATELY AND FILE CLAIM WITH DELIVERING CARRIER FOR ANY DAMAGE. **SAVE YOUR BOX AND ALL PACKING MATERIALS.** YOU ARE RESPONSIBLE FOR DAMAGE TO YOUR UNIT IF RETURNED IMPROPERLY PACKED.

Thank you for your purchase. Before assembly, read this instruction sheet carefully. After reading, be sure to store this instruction in a safe place, should it be needed for future reference.



Wall Bracket shown with Wall Grid Shelf (sold separately)

Tools Needed:

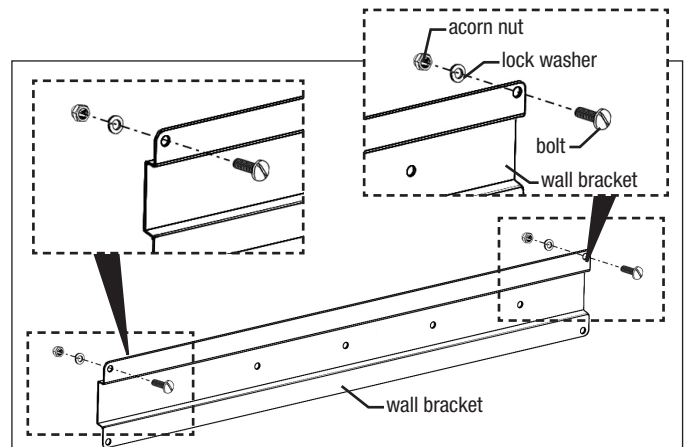
- Level
- Tape measure
- Drill/driver for hardware*
- Writing utensil

SOME NOTABLE TIPS BEFORE INSTALLATION:

- Determine location of shelving and wall bracket(s) in advance.
- Wall surface must be dry and free from dirt, grease and loose paint. Clean as needed.
- Depending on the wall surface, use the appropriate wall mounting hardware*.

IMPORTANT NOTE:

Depending on construction of wall, wall brackets should be attached to wall studs, in-wall grounds (wall backing) of plywood or sheet metal, or solid part of brick or concrete wall with appropriate fasteners*. Failure to use appropriate fasteners* could result in collapse and personal injury. Eagle Group cannot be held responsible for failure of the device or any other devices due to improper installation. Also, it is your responsibility to make certain the mounting surface and method of mounting are suitable to support the anticipated weight which will be placed on this unit.



Step 1:

On each upper corner of bracket, assemble hardware included (bolt, lock washer and acorn nut), as shown. This creates a "stopper" to prevent shelf* from sliding off end of bracket.

* Wall mounting hardware and shelving not included

(continued on back page)

EG10128 Revised 12/24

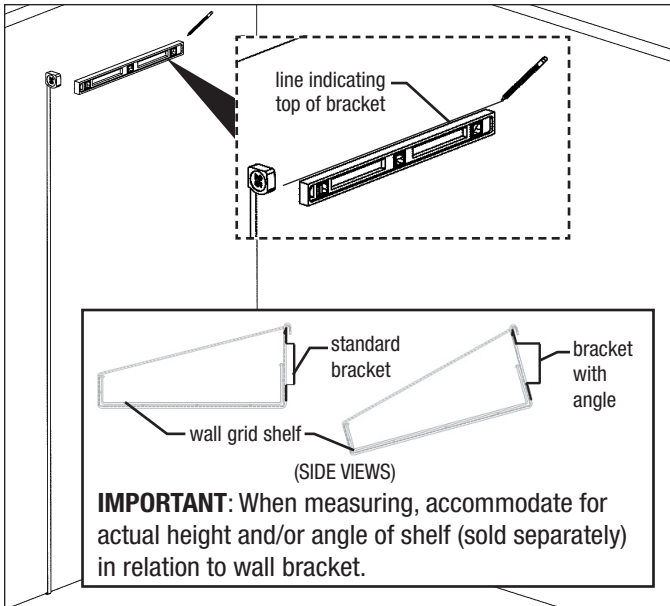


• 100 Industrial Boulevard, Clayton, Delaware 19938-8903 U.S.A.
• Phone: 302/653-3000 • 800/441-8440 • Fax: 302/653-2065
• www.eaglegrp.com • www.eaglehmc.com

Eagle Foodservice Equipment, Eagle MHC, and SpecFAB® are divisions of Eagle Group. ©2024 by the Eagle Group

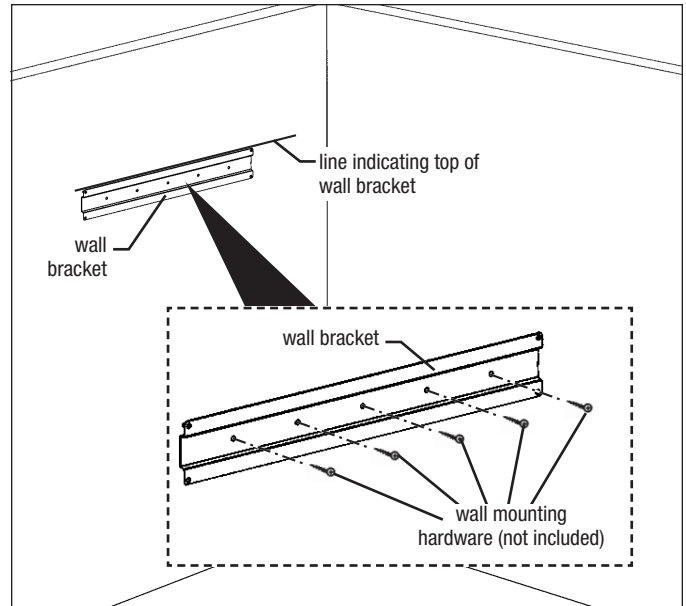
Wall Brackets for Wall Grid Shelving

INSTALLATION INSTRUCTIONS



Step 2:

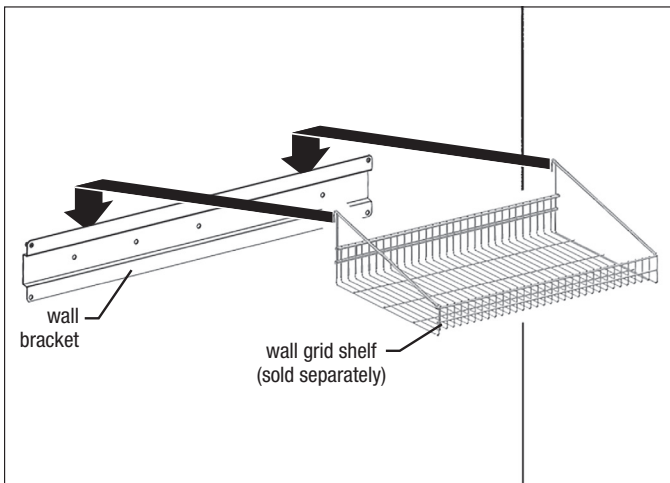
Measure and lightly mark desired height of wall bracket. Use a level to extend line. Mark holes, temporarily remove bracket, and drill holes.



Step 3:

Mount bracket to wall. Hardware for wall mounting not included. **CAUTION: Installer must secure bracket to at least one wall stud, and use anchors on any screws that cannot be secured to studs.**

Installation of the bracket is done. If you have a wall grid shelf, proceed to **Step 4** below.



Step 4:

Hook the shelf over the top flange of the bracket. Adjust to desired location along bracket.

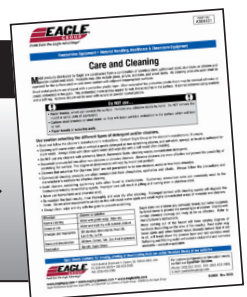
(End) Installation is complete.

SOME NOTABLE TIPS AFTER INSTALLATION:

- In a continuous run, the first and last holes **MUST** be installed in a wall stud or blocking, with appropriate hardware.
- If 12 inches of the wall bracket overhang beyond a stud, that section of wall between studs must be blocked accordingly to provide the bracket with a secure attachable surface.
- Periodically inspect wall bracket(s) on a regular basis to ensure mounting remains secure. Replace any worn hardware. Tighten any hardware that has become loose.

CARE AND CLEANING

CLICK HERE
for full
information sheet



• 100 Industrial Boulevard, Clayton, Delaware 19938-8903 U.S.A.
• Phone: 302/653-3000 • 800/441-8440 • Fax: 302/653-2065
• www.eaglegrp.com • www.eaglemh.com

Eagle Foodservice Equipment, Eagle MHC, and SpecFAB® are divisions of Eagle Group. ©2024 by the Eagle Group