



Profit from the Eagle Advantage®

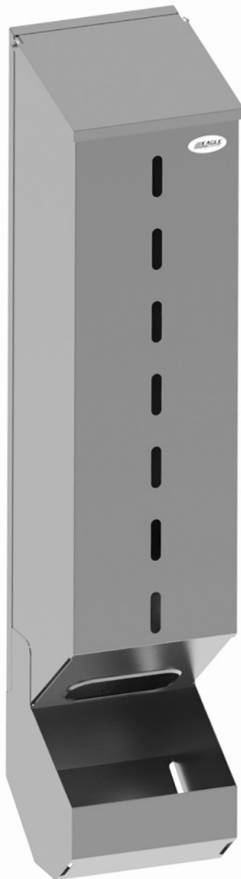
Specification Sheet

Short Form Specifications

Eagle Loose Glove Dispenser, model _____, #4 brushed finish. Type 304 stainless steel construction. Features hinged lid, high visibility level slots, and mounting hardware covers. Offered with or without catch basin. Models with one to five bays available. Single bay is 8 1/16" wide and 8 1/16" deep.



#SSC-GD-1-17



#SSC-GDCB-1-39

Item No.:	_____
Project No.:	_____
S.I.S. No.:	_____

Gowning Dispensers— Loose Glove Dispensers

MODELS:

- | | |
|--|--|
| <input type="checkbox"/> SSC-GD-1-* | <input type="checkbox"/> SSC-GDCB-1-* |
| <input type="checkbox"/> SSC-GD-2-* | <input type="checkbox"/> SSC-GDCB-2-* |
| <input type="checkbox"/> SSC-GD-3-* | <input type="checkbox"/> SSC-GDCB-3-* |
| <input type="checkbox"/> SSC-GD-4-* | <input type="checkbox"/> SSC-GDCB-4-* |
| <input type="checkbox"/> SSC-GD-5-* | <input type="checkbox"/> SSC-GDCB-5-* |

* See chart on back page for complete model numbers.

Design and Construction Features

- Type 304 stainless steel construction.
- #4 brushed finish.
- Features hinged lid, high visibility level slots, and mounting hardware covers.
- Single bay is 8 1/16" wide and 8 1/16" deep (205 x 205mm).
- Models with or without catch basin available.
- Offered with up to five bays.
- May be customized for specific sizes.

EAGLE GROUP

100 Industrial Boulevard, Clayton, DE 19938-8903 USA
 Phone: 302-653-3000 • 800-441-8440 • Fax: 302-653-2065
www.eaglegrp.com
www.eaglemhc.com

For custom configuration or fabrication needs, contact our **SpecFAB®** Division.
 Phone: 302-653-3000 • Fax: 302-653-2065 • e-mail: quotes@eaglegrp.com



EG03.93 Rev. 10/24

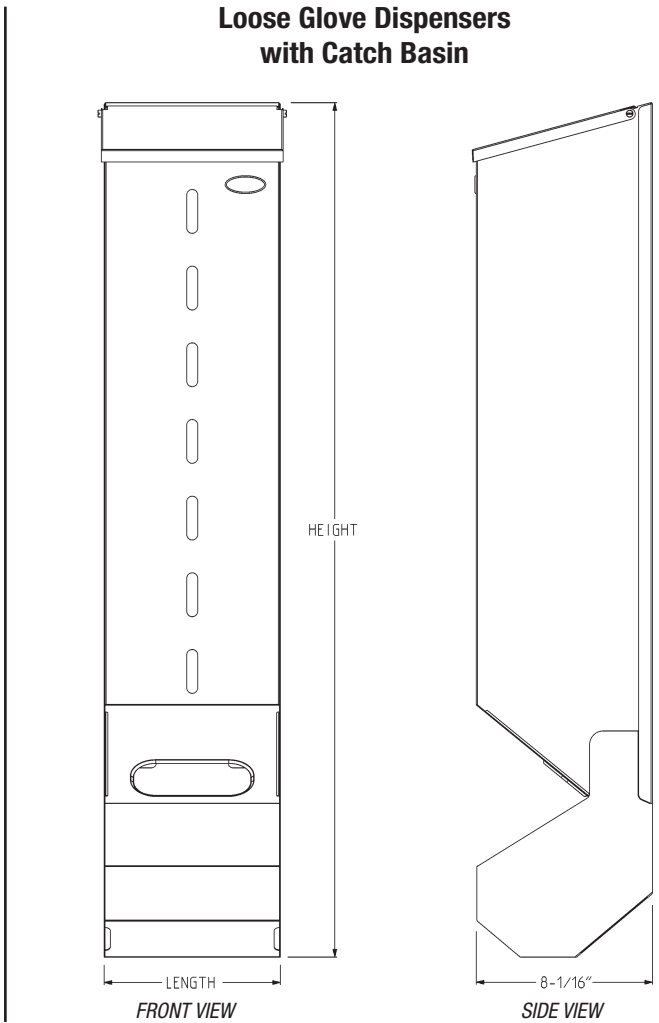
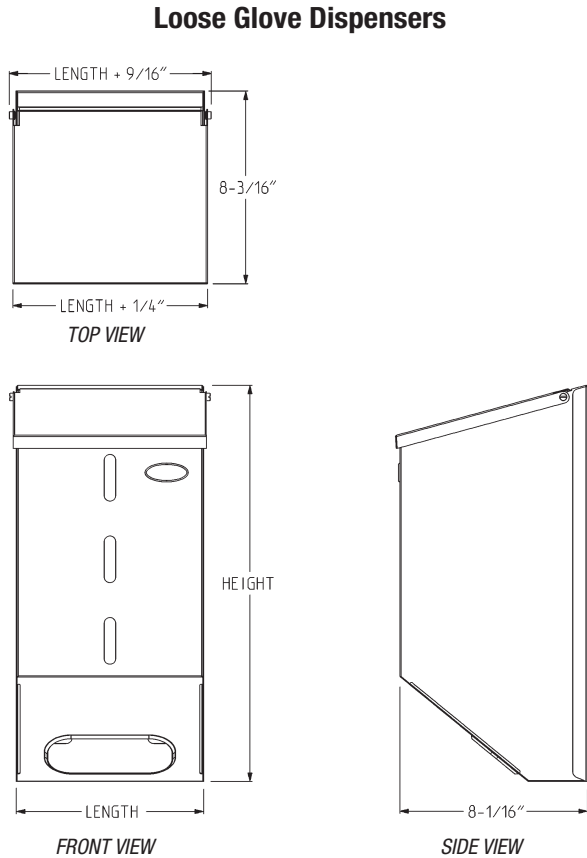
Spec sheets available for viewing, printing or downloading from our online literature library at our websites

Eagle Foodservice Equipment, Eagle MHC, and SpecFAB® are divisions of Eagle Group. ©2024 by the Eagle Group



Item No.: _____
 Project No.: _____
 S.I.S. No.: _____

Gowning Dispensers—Loose Glove Dispensers



length		quantity of bays	height		weight		model #
in.	mm		in.	mm	lbs.	kg	
8 1/16"	205	1	17"	432	11	5.0	SSC-GD-1-17
8 1/16"	205	1	32"	813	17	7.7	SSC-GD-1-32
15 13/16"	402	2	17"	432	16	7.3	SSC-GD-2-17
15 13/16"	402	2	32"	813	26	11.8	SSC-GD-2-32
23 1 1/16"	602	3	17"	432	21	9.5	SSC-GD-3-17
23 1 1/16"	602	3	32"	813	35	15.9	SSC-GD-3-32
31 7/8"	810	4	17"	432	27	12.3	SSC-GD-4-17
31 7/8"	810	4	32"	813	43	19.5	SSC-GD-4-32
39 7/16"	1002	5	17"	432	32	14.5	SSC-GD-5-17
39 7/16"	1002	5	32"	813	52	23.6	SSC-GD-5-32

height		weight		model #
in.	mm	lbs.	kg	
24"	610	14	6.4	SSC-GDCB-1-24
39"	991	20	9.1	SSC-GDCB-1-39
24"	610	21	9.5	SSC-GDCB-2-24
39"	991	31	14.1	SSC-GDCB-2-39
24"	610	27	12.3	SSC-GDCB-3-24
39"	991	41	18.6	SSC-GDCB-3-39
24"	610	35	15.9	SSC-GDCB-4-24
39"	991	51	23.1	SSC-GDCB-4-39
24"	610	42	19.1	SSC-GDCB-5-24
39"	991	62	28.1	SSC-GDCB-5-39

EAGLE GROUP
 100 Industrial Boulevard, Clayton, DE 19938-8903 USA
 Phone: 302-653-3000 or 800-441-8440 • Fax: 302-653-2065
 www.eaglegrp.com • www.eaglehmc.com

Printed in U.S.A.
 ©2024 by Eagle Group

Rev. 10/24

Spec sheets available for viewing, printing or downloading from our online literature library at our websites

Although every attempt has been made to ensure the accuracy of the information provided, we cannot be held responsible for typographical or printing errors. Information and specifications are subject to change without notice. Please confirm at time of order.