



Profit from the Eagle Advantage®

# Specification Sheet

## Short Form Specifications

Eagle MHC One-Compartment Laboratory Sink, model \_\_\_\_\_ . Constructed of 14-gauge type 304 stainless steel, with #4 brushed finish. Fully welded and polished bowl with radius corners. Rolled edges on front and sides, 8"-high backsplash with downturn edge and mounting clips. Stainless legs, gussets, and feet standard. Faucet holes punched on 8" centers. 3-1/2" basket drain with 1-1/2" outlet. Drainboards, when included, sloped and integral to bowls. NSF/CSA-approved.

Item No.:	_____
Project No.:	_____
S.I.S. No.:	_____

## Laboratory Sinks —One-Compartment

### MODELS:

- SSC-2415-1\*       SSC-2430-1\*
- SSC-2418-1\*       SSC-2436-1\*
- SSC-2421-1\*

\* See table on back for complete model numbers.



1-compartment sink



sink with drainboard at left



sink with drainboard at right



sink with two drainboards

### Design & Construction Features:

- 14-gauge 304 stainless construction
- 8" (203mm)-high backsplash, with downturn edge & Z-clip
- Stainless legs, gussets, and feet
- Faucet punched on 8" (203mm) centerlines
- Integral sloped drainboards
- 14" (356mm)-deep, 24" (610mm) front-to-back sink bowl available in lengths ranging from 15" to 36" (381 to 914mm).
- Overall sink lengths available range from 19" to 84" (483 to 2134mm), depending on quantity and length of drainboards.

### Options / Accessories

- 316 stainless construction
- Stainless crossbracing
- Faucets
- Drains
- Custom sizes

### EAGLE GROUP

100 Industrial Boulevard, Clayton, DE 19938-8903 USA  
 Phone: 302-653-3000 • 800-441-8440 • Fax: 302-653-2065  
[www.eaglegrp.com](http://www.eaglegrp.com)  
[www.eaglemhc.com](http://www.eaglemhc.com)

For custom configuration or fabrication needs, contact our **SpecFAB®** Division.  
 Phone: 302-653-3000 • Fax: 302-653-2065 • e-mail: [quotes@eaglegrp.com](mailto:quotes@eaglegrp.com)



EG03.67 Rev. 02/25

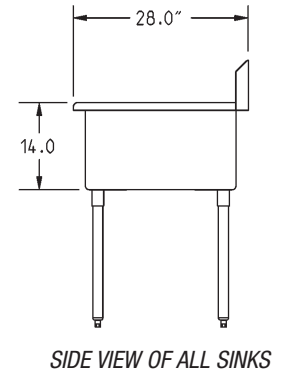
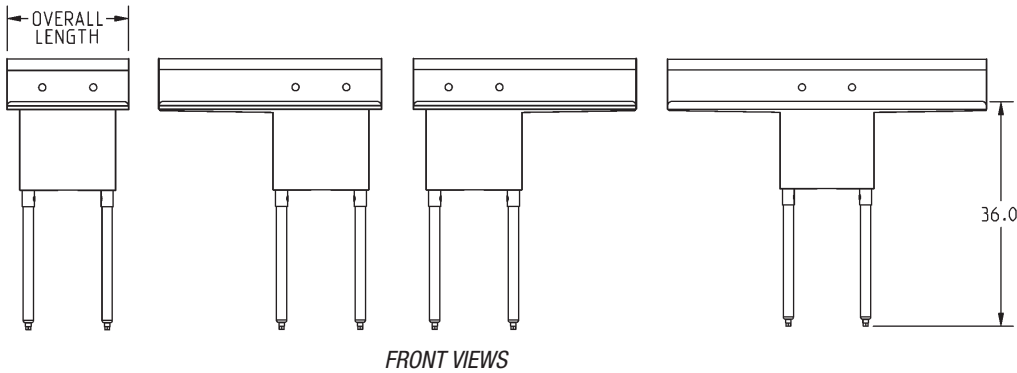
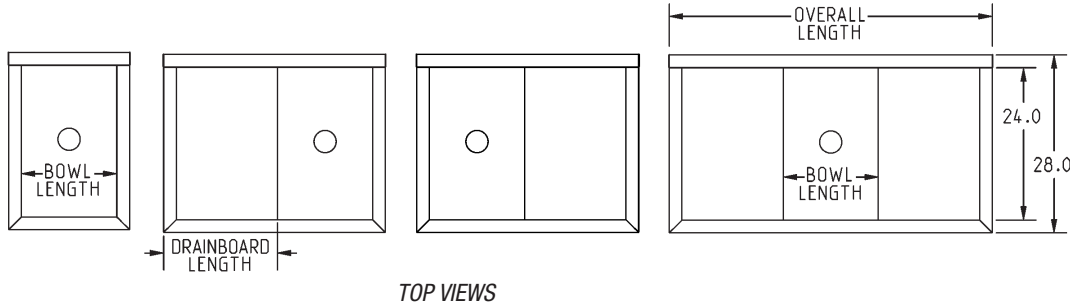
Spec sheets available for viewing, printing or downloading from our online literature library at our websites

Eagle Foodservice Equipment, Eagle MHC, and SpecFAB® are divisions of Eagle Group. ©2025 by the Eagle Group



Item No.: \_\_\_\_\_  
 Project No.: \_\_\_\_\_  
 S.I.S. No.: \_\_\_\_\_

# Laboratory Sinks – One-Compartment



model #	BOWL DIMENSIONS				quantity	DRAINBOARD		OVERALL DIMENSIONS			
	width		length			length		width		length	
	in.	mm	in.	mm		in.	mm	in.	mm	in.	mm
SSC-2415-1	24"	610	15"	381	0	-	-	28"	711	19"	483
SSC-2415-1-18R or L *	24"	610	15"	381	1	18"	457	28"	711	35"	889
SSC-2415-1-18	24"	610	15"	381	2	18"	457	28"	711	51"	1294
SSC-2418-1	24"	610	18"	457	0	-	-	28"	711	22"	559
SSC-2418-1-18R or L *	24"	610	18"	457	1	18"	457	28"	711	38"	965
SSC-2418-1-18	24"	610	18"	457	2	18"	457	28"	711	54"	1372
SSC-2421-1	24"	610	21"	533	0	-	-	28"	711	25"	635
SSC-2421-1-24R or L *	24"	610	21"	533	1	24"	610	28"	711	47"	1194
SSC-2421-1-24	24"	610	21"	533	2	24"	610	28"	711	69"	1753
SSC-2430-1	24"	610	30"	762	0	-	-	28"	711	34"	864
SSC-2430-1-24R or L *	24"	610	30"	762	1	24"	610	28"	711	56"	1422
SSC-2430-1-24	24"	610	30"	762	2	24"	610	28"	711	78"	1981
SSC-2436-1	24"	610	36"	914	0	-	-	28"	711	40"	1016
SSC-2436-1-24R or L *	24"	610	36"	914	1	24"	610	28"	711	62"	1575
SSC-2436-1-24	24"	610	36"	914	2	24"	610	28"	711	84"	2134

\* "R" indicates drainboard is located at the right end of the unit, and "L" indicates drainboard is at the left end.

**EAGLE GROUP**  
 100 Industrial Boulevard, Clayton, DE 19938-8903 USA  
 Phone: 302-653-3000 or 800-441-8440 • Fax: 302-653-2065  
 www.eaglegrp.com • www.eaglehmc.com

Printed in U.S.A.  
 ©2025 by Eagle Group

Rev. 02/25

Spec sheets available for viewing, printing or downloading from our online literature library at our websites

Although every attempt has been made to ensure the accuracy of the information provided, we cannot be held responsible for typographical or printing errors. Information and specifications are subject to change without notice. Please confirm at time of order.